

**Notification Date:** April 9, 2015

**Change Notification #** PC150310

**Change Title:**

MK-480272C is being replaced by the MK-043R (a new PCB design for ESD/EMI mitigation) effective November 15, 2015.

**Product Affected:** MK-480272C

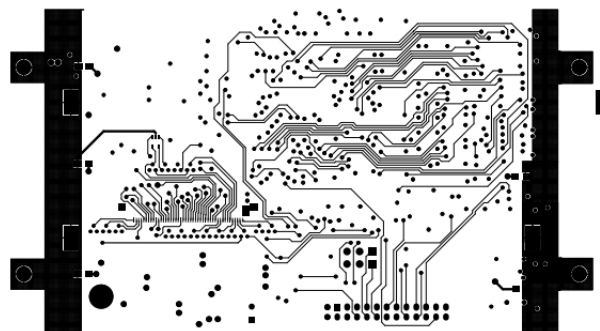
**Recommended Action:**

Last time buy orders for the MK-480272C will be accepted until September 30<sup>th</sup>, 2015. Sample requests to evaluate the new MK-043R should be placed directly with Amulet Technologies.

**Change Description:**

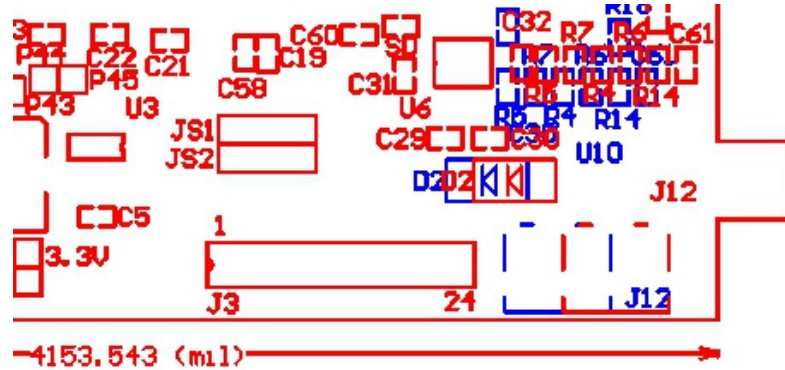
The current Amulet 4.3 inch resistive module, MK-480272C, is being replaced with a newer PCB design that will facilitate the testing and passing of CE certification. The form, fit, and function has not changed with all physical dimensions and location of mounting holes remaining the same. The LCD type and characteristics also remain the same.

1. The four mounting holes are now connected to an isolated metal ground layer, separate from signal ground on the PCB. It is recommended to mount the display into a grounded metal enclosure or connect grounding wires from the mounting holes to chassis ground (earth ground). This will provide an ESD discharge path to chassis ground thus mitigating any ESD damage to the PCB itself.



2. Conductive grounding springs have been added in-between the PCB and the LCD display which connect the metal enclosure of the display to the isolated ground layer. The grounded shield of the LCD display effectively acts as an EMI shield which can be used to reduce EMI emissions.

3. The USB connector J12 has moved 210 mils closer to the 24-pin breakout connector J3. The USB support circuitry has also been moved. This is evident in the below PCB drawing comparing the old placement of the USB connector J12 marked in red, to the new placement marked in blue.



**Other Information:**

*Product technical support* will be provided for any units purchased for up to 1 year past the purchase date.

*Product warranty* remains at 1 year past the purchase date.

**Contact Information:**

Please contact Amulet Technologies at [sales@amulletechnologies.com](mailto:sales@amulletechnologies.com) or 408-374-4956 x105